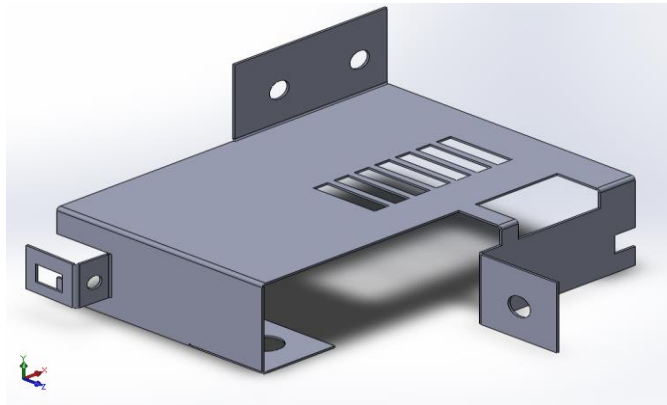


Solidworks Sheetmetal - 2 days

Description	This course teaches you how to build sheet metal parts using SolidWorks. Building standalone sheet metal parts, and converting conventional parts to sheet metal, including in assembly context, are covered.
Prerequisites	Solidworks Essentials course

<p>Introduction About This Course</p> <p>Lesson 1: Basic Flange Methods What are Sheet Metal Parts? Sheet Metal Methods Base Flange SheetMetal Parameters Sheet Metal Bend Features Flat Pattern Additional Flange Features Edge Flanges Editing Flange Profiles Edge Flanges on Curved Edges Miter Flanges Hem Feature Tab Features Cuts in Sheet Metal</p> <p>Lesson 2: Working with Flat Pattern Working with Flat Pattern Flat Pattern Settings Features for Manufacture Corner - Trim Feature Corners in Formed State Closed Corner Corner Relief Break Corner/Corner Trim Producing Flat Pattern Sheet Metal Cut List Properties Flat Pattern Drawing Views Flat Pattern View Properties Drawing Document Properties Sheet Metal Tables Cut List Properties as a Note</p>	<p>Lesson 3: Additional Sheet Metal Techniques Additional Sheet Metal Methods Designing from the Flat Sketched Bend Feature Jog Feature Adding Features in an Unfold State Unfold and Fold Swept Flange Swept Flange Flat Pattern Options Lofted Bends Lofted Bends in the Design Library</p> <p>Lesson 4: Converting to Sheet Metal Sheet Metal Conversion Insert Bend Methods Imported Geometry to Sheet Metal Adding Rips Insert Bends Making Changes Welded Corner Converting Cones and Cylinders Convert to Sheet Metal</p> <p>Lesson 5: Multibody Sheet Metal Parts Multibody Sheet Metal Parts Multibodies with Base Flange Sheet Metal Parameters for Multibodies Cut List Item Properties for Multibodies Flat Pattern Drawing Views for Multibodies Cut-List Balloon Annotations Exporting to DXF/DWG's with Multibodies Convert with Multibodies</p>	<p>Hiding and Showing Bodies Using Split with Sheet Metal Parts Patterning for Multibodies Using Edge Flanges to Merge Bodies Interfering Bodies Combining Sheet Metal with other bodies</p> <p>Lesson 6: Forming Tools and Gussets Sheet Metal Forming Tools Standard Forming Tools Form Tool Features in the Flat Part Document Properties Custom Forming Tools Split Line Forming Tool Form Tools in Drawings Sheet Metal Gusset</p> <p>Lesson 7: Additional Sheet Metal Functions Additional Sheet Metal Functions Cross-Breaks Vent Features Mirror Part Tab and Slots Process Plans Sheet Metal Costing</p>
--	--	---



To Book call: 1300 SWX CAD (1300 799 223)

