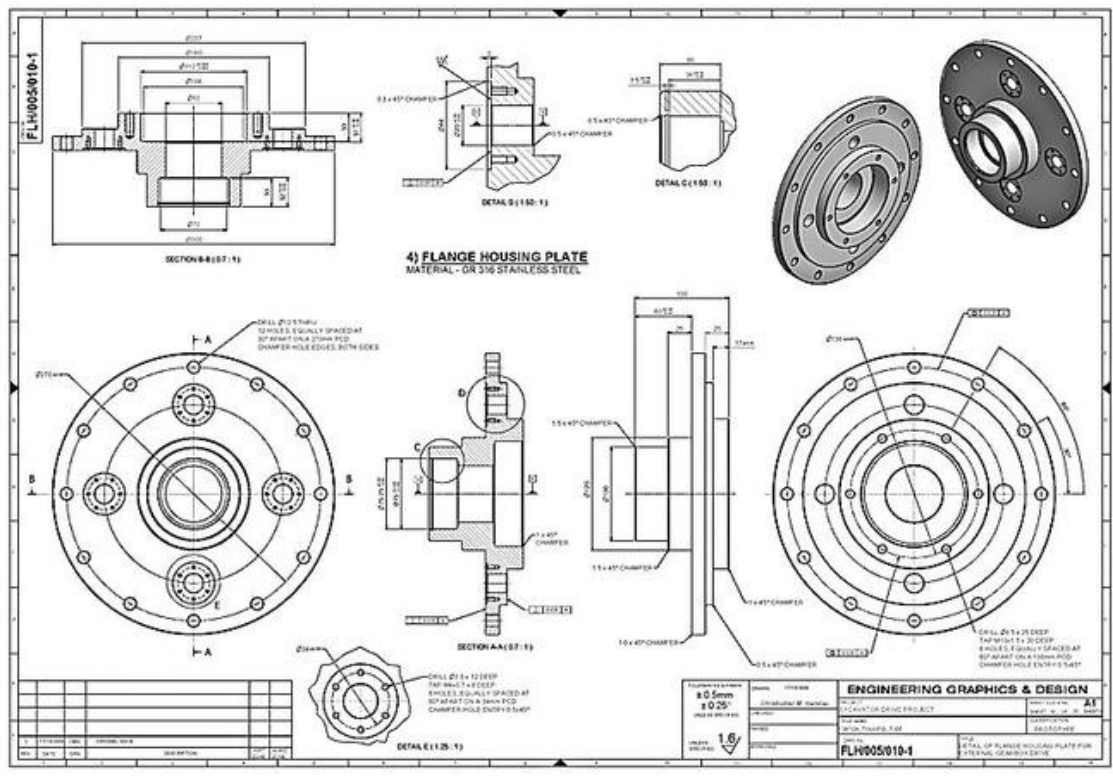


Solidworks Drawings – 2 days

Description	This course teaches you how to make detailed drawings of SolidWorks parts and assemblies.
Prerequisites	Solidworks Essentials course

<p>Introduction About This Course</p> <p>Lesson 1: Drawing Sheets and Views Drawing Sheets and Views Terminology Drawing Views Sketching in Drawing Views View Settings Centremarks and Centrelines Model Edges in the View</p> <p>Lesson 2: Dimensions Dimensions Manipulating Dimensions Dimension Properties</p> <p>Lesson 3: Annotations Adding Annotations Annotation Types Blocks</p>	<p>Lesson 4: Assembly Drawing Views Assembly Drawing Views Creating Views of Assemblies</p> <p>Lesson 5: Sheet Formats and Templates Sheet Formats and Templates Drawing Templates Properties in the Template User Defined Properties Customizing a Sheet Format Importing Legacy Data Define Title Block Updating Sheet Formats</p> <p>Lesson 6: Bill of Materials and Tables Creating and Managing a Bill of Materials The Bill of Materials Adding a BOM Modifying the BOM Tabulated Bill of Materials Design Tables in the Drawing</p>	<p>Lesson 7: Performance and Display Issues Performance and Display Issues Large Assembly Mode Lightweight Drawings Detached Drawings Display Issues in Drawing Views</p> <p>Lesson 8: Drawing References and Comparison Reusing a Drawing File Changing Drawing References Using DrawCompare SolidWorks Design Checker</p>
---------------------------------------------------------------------------------------------------------------------------------------------------------------------------------------------------------------------------------------------------------------------------------------------------------------------------------------------------------------------------------------------------------------------------------------------------------------------------------	---------------------------------------------------------------------------------------------------------------------------------------------------------------------------------------------------------------------------------------------------------------------------------------------------------------------------------------------------------------------------------------------------------------------------------------------------------------------------------------------------------------------------------------------------------------------------------------------------------------------------------	-------------------------------------------------------------------------------------------------------------------------------------------------------------------------------------------------------------------------------------------------------------------------------------------------------------------------------------------------------------------------------



To Book call: 1300 SWX CAD (1300 799 233)

